



SINGLEMODE OPTICAL TRANSCEIVER - QSFP 40G 1270 1330NM

BO25K13610D

DESCRIPTION:

THE BLUEOPTICS® BO25K13610D QSFP TRANSCEIVER IS A HIGH PERFORMANCE, COST EFFECTIVE MODULE SUPPORTING A DATARATE UP TO 40GBPS WITH 10 KILOMETER LINK LENGTH ON SINGLE MODE FIBER. BLUEOPTICS® TRANSCEIVERS ARE 100% COMPLIANT WITH QSFP MULTI SOURCE AGREEMENT (MSA). ALL BLUEOPTICS® QSFP TRANSCEIVERS ARE ALWAYS EQUIPPED WITH DIGITAL DIAGNOSTIC FUNCTION COMPLIANT TO MSA SFF 8472. USING DIGITAL DIAGNOSTIC, BLUEOPTICS® QSFP TRANSCEIVERS PROVIDE THE FOLLOWING REAL TIME INFORMATION:

- SUPPLY VOLTAGE
- LASER BIAS CURRENT
- LASER AVERAGE OUTPUT POWER
- LASER RECEIVED INPUT POWER
- TEMPERATURE

THE TRANSCEIVER CONSISTS OF FIVE SECTIONS: A 4 CHANNEL DFB TRANSMITTER, A 4 CHANNEL PIN PHOTODIODE, A 4 CHANNEL TRANS IMPEDANCE PREAMPLIFIER (TIA), THE LD DRIVER AND THE DIGITAL DIAGNOSTIC FUNCTION.



APPLICATIONS:

- 40G ETHERNET
- FIBRE CHANNEL
- INFINIBAND QDR
- DATA CENTER

WARRANTY:

EVERY BLUEOPTICS® TRANSCEIVER COMES WITH A 5 YEAR REPLACEMENT WARRANTY AND LIFETIME SUPPORT. FOR A WARRANTY INQUIRY, PLEASE CONTACT YOUR CBO SALES REPRESENTATIVE.

THIS WARRANTY COVERS THE FIRST USER OF THE EQUIPMENT ONLY.

FEATURES:

- 40GB/S SERIAL OPTICAL INTERFACE COMPLIANT TO 802.3BA 40GBASE LR4
- 4 CWDM LANES MUX/DEMUX DESIGN
- DFB LASER TRANSMITTER
- PIN PHOTO DETECTOR
- HOT PLUGGABLE QSFP FOOTPRINT COMPLIANT TO SFF 8431
- DUPLEX LC/UPC TYPE PLUGGABLE OPTICAL INTERFACE
- 2 WIRE INTERFACE FOR MANAGEMENT
- METAL ENCLOSURE, FOR LOWER EMI
- ROHS COMPLIANT AND LEAD FREE
- SINGLE +3.3V POWER SUPPLY
- COMPLIANT WITH SFF 8472
- CASE OPERATING TEMPERATURE
 - COMMERCIAL: 0°C TO +70°C
 - EXTENDED: -10°C TO +80°C
 - INDUSTRIAL: -40°C TO +85°C



SINGLEMODE OPTICAL TRANSCEIVER - QSFP 40G 1270 1330NM

BO25K13610D

ORDER INFORMATION

Part No.	Temp.	DDM
BO25K13610D	0°C to +70°C	√
BO25K13610DEX	-10°C to +80°C	√
BO25K13610DIN	-40°C to +80°C	√

REGULATORY COMPLIANCE

Feature	Standard	Co.
Electrostatic Discharge (ESD)	IEC/EN 61000-4-2	√
Electromagnetic Interference (EMI)	FCC Part 15 Class B EN 55022 Class B (CISPR 22A)	√
Laser Eye Safety	FDA 21CFR 1040.10, 1040.11 IEC/EN 60825 1, 2	Class 1 √
Component Recognition	IEC/EN 60950, UL	√
RoHS	2002/95/EC	√
EMC	EN61000-3	√

WARNINGS:

HANDLING PRECAUTIONS:

THIS DEVICE IS SUSCEPTIBLE TO DAMAGE AS A RESULT OF ELECTROSTATIC DISCHARGE (ESD). A STATIC FREE ENVIRONMENT IS HIGHLY RECOMMENDED.

LASER SAFETY:

EVEN SMALL RADIATION EMITTED BY LASER DEVICES CAN BE DANGEROUS TO HUMAN EYES AND LEAD TO PERMANENT EYE INJURIES. BE SURE TO AVOID EYE CONTACT WITH DIRECT OR INDIRECT RADIATION.

IMPORTANT NOTICE:

PERFORMANCE FIGURES, DATA AND ANY ILLUSTRATIVE MATERIAL PROVIDED IN THIS DATA SHEET ARE TYPICAL AND MUST BE SPECIFICALLY CONFIRMED IN WRITING BY CBO BEFORE THEY BECOME APPLICABLE TO ANY PARTICULAR ORDER OR CONTRACT. IN ACCORDANCE WITH THE CBO POLICY OF CONTINUOUS IMPROVEMENT SPECIFICATIONS MAY CHANGE WITHOUT NOTICE.

THE PUBLICATION OF INFORMATION IN THIS DATA SHEET DOES NOT IMPLY FREEDOM FROM PATENT OR OTHER PROTECTIVE RIGHTS OF CBO OR OTHERS.

FURTHER DETAILS ARE AVAILABLE FROM ANY CBO SALES REPRESENTATIVE.



SINGLEMODE OPTICAL TRANSCEIVER - QSFP 40G 1270 1330NM

BO25K13610D

INSTALLATION:

BEFORE INSTALLATION ATTACH AN ESD PREVENTIVE WRIST TO ENSURE NOT TO DAMAGE THE TRANSCEIVER OR HARDWARE.

BLUEOPTICS® BO25K13610D CAN BE INSTALLED IN ANY SMALL FORM FACTOR PLUGGABLE+ (QSFP) PORT. YOU CAN INSTALL THE BO25K13610D REGARDLESS IF THE SYSTEM IS POWERED ON OR OFF, BECAUSE IT IS HOT SWAPPABLE.

INSERT THE TRANSCEIVER INTO THE SFP PORT AND REMOVE THE DUST CAP.

YOU CAN NOW CONNECT YOUR CABLE.

1. ABSOLUTE MAXIMUM RATINGS

Parameter	Symbol	Min.	Typ.	Max.	Unit
Storage Temperature	Ts	-40		85	°C
Storage Ambient Humidity	HA	5		95	%

2. RECOMMENDED OPERATING CONDITIONS

Parameter	Symbol	Min.	Typ.	Max.	Unit	Note
		0		70		BO25K13610D
		-10		80	°C	BO25K13610DEX
		-40		85		BO25K13610DIN
Ambient Humidity	HA	5		70	%	
Transmission Distance				10	KM	
Coupled Fiber		Singlemode fiber				9/125µm SMF



SINGLEMODE OPTICAL TRANSCEIVER - QSFP 40G 1270 1330NM

B025K136100

3. ELECTRICAL INTERFACE CHARACTERISTICS

Parameter	Symbol	Min.	Typ.	Max.	Unit	Note
Power Supply Voltage	Vcc	3.14	3.3	3.46	V	
Signal Input Voltage	Icc			900	mA	
Transmitter						
Input differential impedance	Rin		100		Ω	1
Single ended data input swing	Vin,pp	180		1000	mV	
Transmit Disable Voltage	VD	Vcc-1.3		Vcc	V	
Transmit Enable Voltage	VEN	Vee		Vee+0.8	V	2
Differential data input swing	Vin,pp	180		1000		
Receiver						
Differential data output swing	Vout,pp	300		850	mV	3
Data output rise time	tr	28			Ps	4
Data output fall time	tf	28			Ps	4
LOS Fault	VLOS fault	Vcc-1.3		VccHOST	V	5
LOS Normal	VLOS norm	Vee		Vee+0.8	V	5
Power Supply Rejection	PSR	100			mVpp	6

NOTES:

1. INTERNALLY AC COUPLED.
2. OR OPEN CIRCUIT.
3. INTO 100 Ω DIFFERENTIAL TERMINATION.
4. 20-80%
5. LOS IS AN OPEN COLLECTOR OUTPUT. SHOULD BE PULLED UP WITH 4.7K Ω ON THE HOST BOARD.
6. ALL TRANSCEIVER SPECIFICATIONS ARE COMPLIANT WITH A POWER SUPPLY SINUSOIDAL MODULATION OF 20 HZ TO 1.5 MHZ UP TO SPECIFIED VALUE THROUGH THE POWER SUPPLY FILTERING NETWORK SHOWN ON PAGE 23 OF THE SMALL FORM - FACTOR PLUGGABLE (SFP) TRANSCEIVER MULTI SOURCE AGREEMENT (MSA), SEPTEMBER 14, 2000.

SINGLEMODE OPTICAL TRANSCEIVER - QSFP 40G 1270 1330NM

B025K136100

4. TRANSMITTER SPECIFICATIONS OPTICAL

Parameter	Symbol	Min.	Typ.	Max.	Unit	Note
Total Output Power	POUT			8.3	dBm	
Average Output Power per Lane	POUTPL	-7		2.3	dBm	
Average launch Power off per lane	POFF			-30	dBm	
Extinction Ratio	ER	3.5			dB	
	λ_0	1264.5	1271	1277.5		
	λ_1	1284.5	1291	1297.5		
	λ_2	1304.5	1311	1317.5		
	λ_3	1324.5	1331	1337.5		
Transmitter and Dispersion Penalty	TDP			2.3	dB	
Spectral Width -20dB)	σ			1	nm	
	SMSR	30			dB	
RIN	RIN			-128	dB/Hz	
Transmitter Jitter (peak to peak)	Compliant with IEEE 802.3ba					

5. RECEIVER SPECIFICATIONS OPTICAL

Parameter	Symbol	Min.	Typ.	Max.	Unit	Note
Receiver Sensitivity per lane	PIN			-11.5	dBm	1
Input Saturation Power (Overload)	PSAT	3.3			dBm	
Receiver Reflectance	Rr			-26	dB	

NOTES:

1. MEASURED WITH PRBS=2³¹ -1 NON-RETURN-TO-ZERO.



SINGLEMODE OPTICAL TRANSCEIVER - QSFP 40G 1270 1330NM B025K136100

6. QSFP TO HOST CONNECTOR PIN OUT

Pin	Symbol	Name / Description	Note
1	GND	Transmitter Ground (Common with Receiver Ground)	1
2	Tx2n	Transmitter Inverted Data Input	
3	Tx2p	Transmitter Non-Inverted Data output	
4	GND	Transmitter Ground (Common with Receiver Ground)	1
5	Tx4n	Transmitter Inverted Data Input	
6	Tx4p	Transmitter Non-Inverted Data output	
7	GND	Transmitter Ground (Common with Receiver Ground)	1
8	ModSelL	Module Select	
9	ResetL	Module Reset	
10	VccRx	3.3V Power Supply Receiver	2
11	SCL	2-Wire serial Interface Clock	
12	SDA	2-Wire serial Interface Data	
13	GND	Transmitter Ground (Common with Receiver Ground)	
14	Rx3p	Receiver Non-Inverted Data Output	
15	Rx1n	Receiver Inverted Data Output	
16	GND	Transmitter Ground (Common with Receiver Ground)	
17	Rx1p	Receiver Non-Inverted Data Output	1
18	Rx1n	Receiver Inverted Data Output	
19	GND	Transmitter Ground (Common with Receiver Ground)	
20	GND	Transmitter Ground (Common with Receiver Ground)	1
21	Rx2n	Receiver Inverted Data Output	
22	Rx2p	Receiver Non-Inverted Data Output	
23	GND	Transmitter Ground (Common with Receiver Ground)	1
24	Rx4n	Receiver Inverted Data Output	1
25	Rx4p	Receiver Non-Inverted Data Output	
26	GND	Transmitter Ground (Common with Receiver Ground)	1

SINGLEMODE OPTICAL TRANSCEIVER - QSFP 40G 1270 1330NM

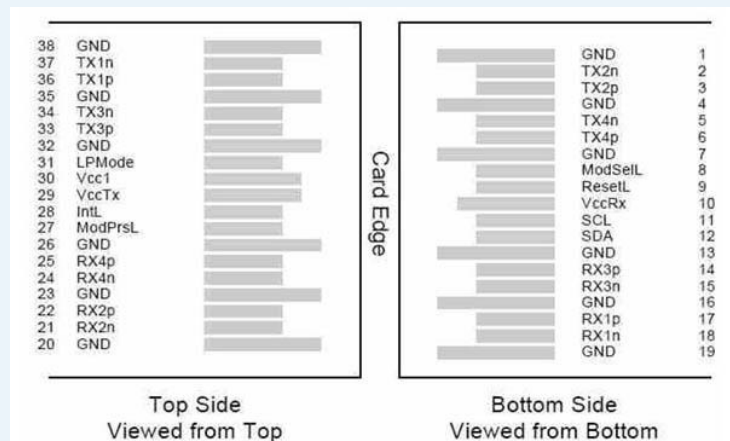
B025K136100

6. QSFP TO HOST CONNECTOR PIN OUT

Pin	Symbol	Name / Description	Note
27	ModPrsl	Module Present	
28	IntL	Interrupt	
29	VccTx	3.3V power supply transmitter	2
30	Vcc1	3.3V power supply	2
31	LPMoDe	Low Power Mode	
32	GND	Transmitter Ground (Common with Receiver Ground)	1
33	Tx3p	Transmitter Non-Inverted Data Input	
34	Tx3n	Transmitter Inverted Data Output	
35	GND	Transmitter Ground (Common with Receiver Ground)	1
36	Tx1p	Transmitter Non-Inverted Data Input	
37	Tx1n	Transmitter Inverted Data Output	
38	GND	Transmitter Ground (Common with Receiver Ground)	1

NOTES:

- GND IS THE SYMBOL FOR SIGNAL AND SUPPLY (POWER) COMMON FOR QSFP MODULES. ALL ARE COMMON WITHIN THE QSFP MODULE AND ALL MODULE VOLTAGES ARE REFERENCED TO THIS POTENTIAL UNLESS OTHERWISE NOTED. CONNECT THESE DIRECTLY TO THE HOST BOARD SIGNAL COMMON GROUND PLANE.
- VCCRX, VCC1 AND VCCTX ARE THE RECEIVING AND TRANSMISSION POWER SUPPLIERS AND SHALL BE APPLIED CONCURRENTLY. RECOMMENDED HOST BOARD POWER SUPPLY FILTERING IS SHOWN BELOW. VCC RX, VCC1 AND VCC TX MAY BE INTERNALLY CONNECTED WITHIN THE QSFP TRANSCEIVER MODULE IN ANY COMBINATION. THE CONNECTOR PINS ARE EACH RATED FOR A MAXIMUM CURRENT OF 500MA.





SINGLEMODE OPTICAL TRANSCEIVER - QSFP 40G 1270 1330NM

B025K136100

7. EEPROM INFORMATION

THE SFP MSA DEFINES A 256-BYTE MEMORY MAP IN EEPROM DESCRIBING THE TRANSCEIVERS CAPABILITIES, STANDARD INTERFACES, MANUFACTURER, AND OTHER INFORMATION, WHICH IS ACCESSIBLE OVER A 2 WIRE SERIAL INTERFACE AT THE 8-BIT ADDRESS 1010000X (A0H).

Data Address	Field Size (Bytes)	Name of Field	Description
128	1	Identifier	Formfactor
129	1	Ext. Identifier	
130	1	Connector	
131 - 138	8	Transceiver	Transmitter Code
139	1	Encoding	
140	1	BR, Nominal	Transceiver Speed
141	1	Extended RateSelect Compliance	Tags for Extended RateSelect compliance
142	1	Length (9µm) km	Max. link length in KM
143	1	Length (9µm) 100m	Max. link length in M
144	1	Length (50µm) 10m	Max. link length in M
145	1	Length(62.5µm)10m	Max. link length in M
146	1	Length (Copper)	Max. link length in M
147	1	Device Tech	Device technology
148 - 163	16	Vendor name	Vendor name - OEM
164	1	Extended Transceiver	Extended Transceiver Codes for InfiniBand
165 - 167	3	Vendor OUI	
168 - 183	16	Vendor PN	Product Number - depending on Part
184 - 185	2	Vendor rev	Vendor revision
186 - 187	2	Wavelength	Transceiver Wavelength
188 - 189	2	Wavelength tolerance	Guaranteed range of laser wavelength (+/- value) from Nominal wavelength (Wavelength Tol. = value/200 in nm)
190	1	Max Case Temp	Maximum Case Temperature in Degrees C
191	1	CC_BASE	Check code for Base ID Fields (addresses 128-190)
192 - 195	4	Options	Rate Select, TX Disable, TX Fault, LOS
196 - 211	16	Vendor SN	Part serial number
212 - 219	8	Vendor date code	Year, Month, Day
220	1	Diagnostic type	Diagnostics
221	1	Enhanced option	Indicates which optional enhanced features are implemented in the transceiver.
222	1	Reserved	Reserved
223	1	CC_EXT	Check code for the Extended ID Fields (addresses 192-222)
224 - 255	32	Vendor Specific	Vendor Specific EEPROM



SINGLEMODE OPTICAL TRANSCEIVER - QSFP 40G 1270 1330NM

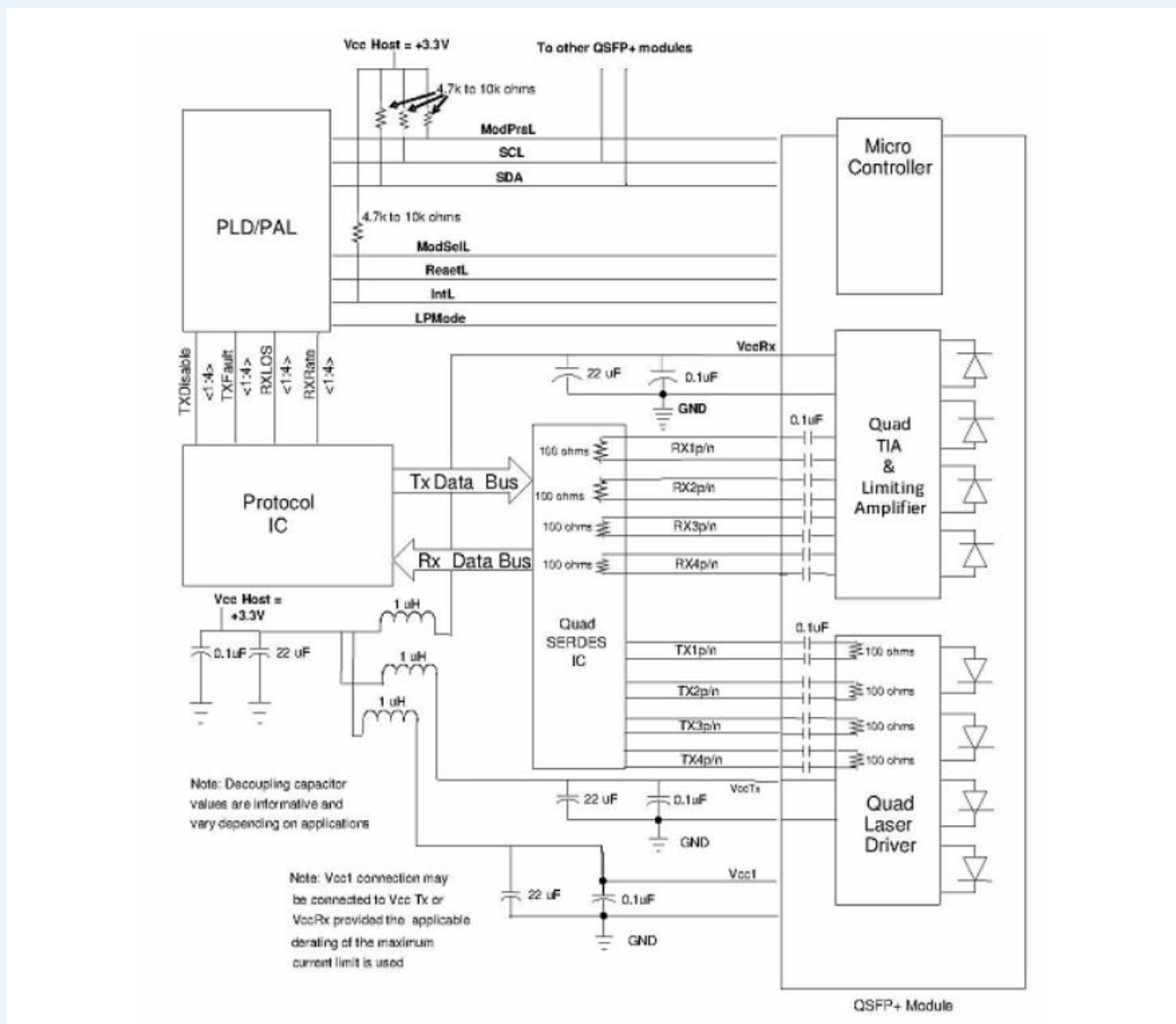
B025K136100

8. DIGITAL DIAGNOSTICS / DIGITAL OPTICAL MONITORING

THE TRANSCEIVER PROVIDES SERIAL ID MEMORY CONTENTS AND DIAGNOSTIC INFORMATION ABOUT THE PRESENT OPERATING CONDITIONS BY THE 2-WIRE SERIAL INTERFACE (SCL, SDA).

THE DIAGNOSTIC INFORMATION WITH INTERNAL CALIBRATION OR EXTERNAL CALIBRATION ARE ALL IMPLEMENTED, INCLUDING RECEIVED POWER MONITORING, TRANSMITTED POWER MONITORING, BIAS CURRENT MONITORING, SUPPLY VOLTAGE MONITORING AND TEMPERATURE MONITORING.

9. RECOMMENDED INTERFACE CIRCUIT



SINGLEMODE OPTICAL TRANSCEIVER - QSFP 40G 1270 1330NM

B025K136100

10. MECHANICAL SPECIFICATIONS (UNIT: MM)

